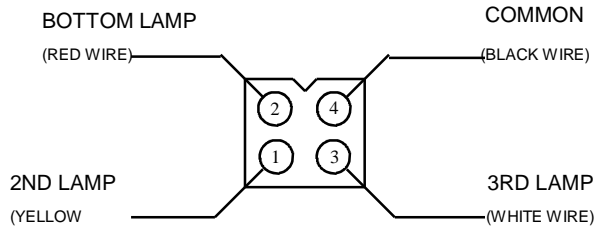
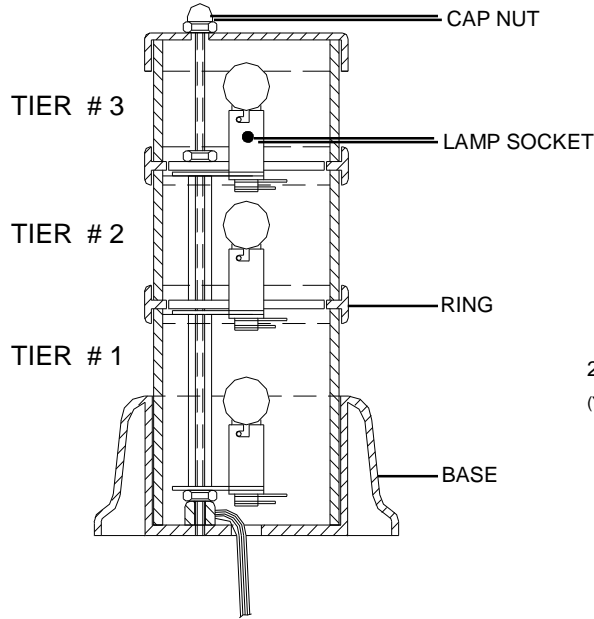


Tower Light Order Form



STANDARD WIRE CONFIGURATION (WIRE SIDE)

MOLEX PLUG HOUSING P/N 03-09-2049
MOLEX PIN (.093 MALE) P/N 02-09-2118

Customer/Company: Name _____

MC Supply Part Number: _____

Finish: Chrome _____ Gold _____ Other _____

Filter Color : Tier 1 (Lower) _____

Tier 2 (Middle) _____

Tier 3 (Upper) _____

Wire Plug Housing (If other than standard)

Manufacturer: _____

Part Number : _____

Pin (If other than standard)

Manufacturer: _____

Part Number : _____

Wire Configuration :

1		6	
2		7	
3		8	
4		9	
5		10	